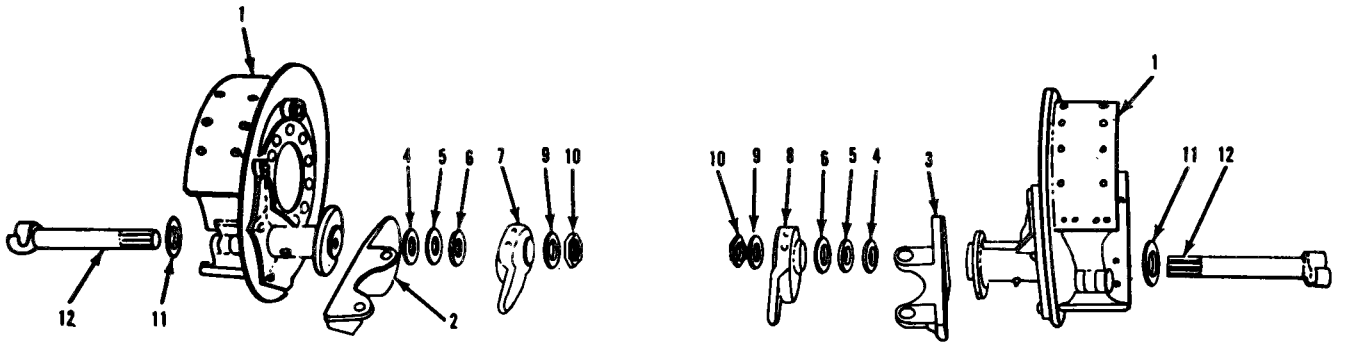


Current part is item (20) on diagram. Available at [www.oshkoshequipment.com](http://www.oshkoshequipment.com)

(1)	(2)	(3)	(4)	(5)	(6)				(7)			(8)			(9)	(10)	
SMR	FEDERAL	DESCRIPTION	UNIT	QTY	15-DAY ORGANIZATION				30-DAY DS			30-DAY GS			1-YR. ALW	ILLUSTRATION	
CODE	STOCK		OF	INC	MAINTENANCE				MAINTENANCE			MAINTENANCE			PER 100	(A)	(B)
	NUMBER	REFERENCE NUMBER & MFR CODE	MEAS	IN	ALLOWANCE				ALLOWANCE			ALLOWANCE			EQUIP	(A)	(B)
				UNIT	(A)	(B)	(C)	(D)	(A)	(B)	(C)	(A)	(B)	(C)	PLANNING	FIG	ITEM
			USABLE ON CODE		1-5	6-20	21-50	51-100	1-20	21-50	51-100	1-20	21-50	51-100		NO	NO
PAFZZ	5320-058-9883	RIVET: TUBULAR, FLAT BD, NO. 8 MS16536-172 (96906)	EA	128					*	*	*	*	*	*		15	15
XAOZZ		SHOE, BRAKE 7979279 (19207)	EA	8												15	16
PAOZZ	2530-374-2127	SHAFT, STRAIGHT: 1/4 X 2 1/4 (CAMSHAFT ROLLER) 7523847 (19207)	EA	8	*	*	*	*	*	*	*	*	*	*		15	17
PAOZZ	3120-350-5466	BEARING, ROLLER, CAMSHAFT 7534846 (19207)	EA	8	*	*	*	*	*	*	*	*	*	*		15	18
PAOZZ	5305-723-9385	SETScrew: HEX SOCKET, CUP POINT. -20NC-3 X 1/8 MS51963-63 (96906)	EA	8	*	*	*	*	*	*	*	*	*	*		15	19
PAOZZ	3120-740-9567	BUSHING, PLAIN SLEEVE: 1.3695 ID. 1.4425 OD. 1.886 LG 7409567 (19207)	EA	8	*	*	*	*	*	*	*	*	*	*		15	20
PAOZZ	5315-740-9379	PIN, GROOVED: RETURN SPRING 7409379 (19207)	EA	8	*	*	*	*	*	*	*	*	*	*		15	21
PAOZZ	5315-842-3651	PIN, COTTER; 3 32 X MS24665-295 (96906)	EA	16	*	*	*	*	*	*	*	*	*	*		15	22
PAOZZ	5310-797-9332	WASHER, C 7979332 (19207)	EA	8	*	*	*	*	*	*	*	*	*	*		15	23
PAOZZ	2530-204-3622	STRAP 7979340 (19207)	EA	4	*	*	*	*	*	*	*	*	*	*		15	24
PAOZZ	2530-461-3835	PIN, PIVOT, ANCHOR 7979271 (19207)	EA	8	*	*	*	*	*	*	*	*	*	*		15	25
PAOZZ	2530-303-9887	PLATE ASSY, BACKING 7979337 (19207)	EA	4	*	*	*	*	*	*	*	*	*	*		15	26
PAOZZ	2530-177-7986	PLATE, BACKING 7979336 (19207)	EA	4	*	*	*	*	*	*	*	*	*	*		15	27
XAOZZ		BRACKET: ANCHOR PIN MTG 7979334 (19207)	EA	1												15	28
XAOZZ		BRACKET: CAMSHAFT MTG 7979335 (19207)	EA	4												15	29
XAOZZ		BEARING, NEEDLE: MIL-STD-CODE 345- 02403-4300.1.500 SHAFT DIA. 1.8750 OD. 1.2500W 709438 (21450)	EA	8												15	30
PAOZZ	5330-297-9829	SEAL, PLAIN: TYPE MW. 1 1/2 X 2 X 7979333 (19207)	EA	8	*	*	*	*	*	*	*	*	*	*		15	31
PAOZZ	5310-584-7888	WASHER, LOCK, SPLIT: ID MS35338-51 (96906)	EA	8	*	*	*	*	*	*	*	*	*	*		15	32
PAOZZ	5310-275-9460	NUT, PLAIN, HEX: 1/1-16NF-3 7413488 (19207)	EA	8	*	*	*	*	*	*	*	*	*	*		15	33
PAOZZ	5360-797-9339	SPRING: HELICAL TENSION, SHOE RETURN 7409383 (19207)	EA	4	*	*	*	*	*	*	*	*	*	*		15	34



Current part is item (20) on diagram. Available at [www.oshkoshequipment.com](http://www.oshkoshequipment.com)



Current part is item (20) on diagram. Available at [www.oshkoshequ](http://www.oshkoshequ)

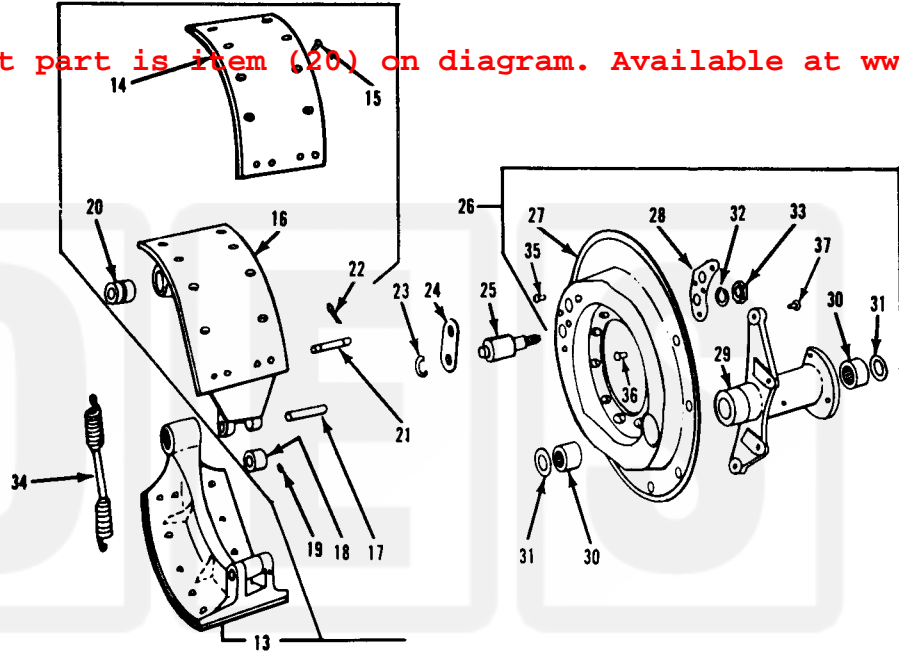


Figure 15. Service brakes—M269, M270.

TA011190

Oshkosh  
Equipment Sales

Current part is item (20) on diagram. Available at [www.oshkoshequ](http://www.oshkoshequ)